



## Innovation for today's market

Norit, headquartered in The Netherlands, is an innovative leading supplier to the water and beverage industries. With almost a century of experience, the Norit Group supplies consumables, components, systems, and solutions, based on proprietary technology in every step of the water and beverage value chain. More than 8 percent of the world's population – over half a billion people – is already consuming water purified by Norit.

Norit Filtrix, part of the Norit group, specializes in developing, manufacturing and marketing of point-of-use products based on membrane, activated carbon and ion exchange technology. Our products are applied in commercial, residential, recreational and healthcare markets.

With customer service a top priority, Norit Filtrix products are sold all over the world by major distributors in our key markets. We also develop and manufacture custom products for the OEM market.

As a member of the Water Quality Association, we strive to develop technologically superior products which meet our customer's needs at competitive prices. The Norit Filtrix Quality Management System is certified to ISO 9001:2000 standard and each product is individually quality checked.

Our H<sub>2</sub>OK point-of-use product range displays exactly what we strive for: smart, innovative technology, specifically developed for the commercial drinking water market.

For more information about the complete Norit H<sub>2</sub>OK range please visit: [www.H2OK.norit.com](http://www.H2OK.norit.com)

# Norit H<sub>2</sub>OK

A premium point-of-use cartridge range



Filtrix BV  
Slicumweg 28 • 3812 SX Amersfoort • The Netherlands  
T +31 33 422 04 40 • F +31 33 422 04 41  
E [info@filtrix.com](mailto:info@filtrix.com) • I [www.filtrix.com](http://www.filtrix.com)  
Please visit our website to obtain information about your local support.

Filtrix BV reserves the right to make changes in the technical specifications at any time.

**Norit** Filtrix  
leading in purification

**Norit** Filtrix  
leading in purification



## H<sub>2</sub>OK product line - what we offer

The Norit H<sub>2</sub>OK range is a complete line of high performance purifiers, filters, conditioners, softeners and sanitizers. We offer tailored solutions with customized branding and specialist fittings to meet your customers' specific needs.

### WaterPurifiers

- Virus, bacteria and cyst removal
- Chemical contaminant reduction
- Taste and odor improvement

Including the premium WaterPurifier® for water coolers, vending and food services - tested according to NSF P231.

### WaterFilters

- Bacteria and cyst removal
- Chemical contaminant reduction
- Taste and odor improvement

### WaterConditioners

- Chemical contaminant reduction
- Taste and odor improvement
- Turbidity removal

### WaterSofteners

- Hardness reduction
- Chemical contaminant reduction
- Taste and odor improvement

Hardness reduction levels are preset for your specific needs. Ideally suited to the coffee machine and vending markets, all softeners are combined with activated carbon.

### Sanitizers

- Biofilm removal
- Safe, tasteless and odorless
- Food and Drug Administration approved

We offer a line of sanitization rinse and spray products for water cooler and vending machines. Used with our H<sub>2</sub>OK sanitizer rinse, the cleaning cartridge is strong on contamination yet mild on your system.

## H<sub>2</sub>OK = Ultimate protection + innovation + great taste

### Membrane technology in action

Microbiological outbreaks in water supplies do happen and simple disinfection does not always offer enough protection for the end user. To guarantee safety every time, Norit products have hollow fiber membranes, with billions of microscopic pores small enough to retain viruses, but large enough to allow vital minerals through. Our membrane cartridges offer unique FailSafe protection, which ensures the filter will block towards the expiry date.

### The next step in activated carbon

Due to its porous structure, activated carbon can bind chemical contaminants, such as pesticides, medical residues and heavy metals if present in drinking water. Taking this to the next level, the Norit H<sub>2</sub>OK range includes a special grade of certified activated carbon for point-of-use applications which also greatly improves taste and odor.

### Ion exchange resin - softer water and great taste

Continuous heating of water can cause build up of insoluble carbonates (lime scale) in cooler and vending machines, resulting in high energy consumption and poorly functioning equipment. Ion exchange is the most effective way to treat temporary hardness of water. It replaces insoluble carbonates with sodium ions, resulting in less scaling of machines and a better taste.

### Win business with easy options

Norit H<sub>2</sub>OK cartridges have quick connect couplings for easy and hygienic handling. We also offer a tailored service to customers, including customized fittings and private label branding - a great way to ensure repeat business for your company in this competitive industry.

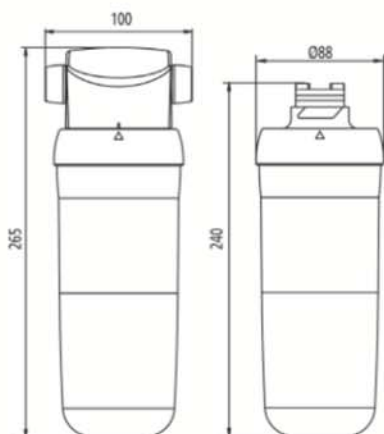


### Your safety guarantee

All our products are tested by independent testing laboratories for microorganism, chemical and hardness reduction performance and meet the water industry's highest standards.



# H<sub>2</sub>OK



### Dimensions & Weight

Overall length	240 mm
Overall diameter	Ø88 mm
Dry weight system	770 grams

### Connection

To mains 3/8" BSP

### Storage & Handling

- Keep dry during storage
- Protect against freezing after first use
- Handle with care; do not expose to shocks
- Disposable product; discard as regular waste

### Product name

### Productcode

WaterSoftener 25	24.2.551
WaterSoftener 50	24.2.561
WaterSoftener 75	24.2.581
WaterSoftener 100	24.2.591

### Packaging unit

24 pcs./box

### Filterhead

Sold separately under productcode 24.2.901

### Technology

Ion Exchange Resin

### Conditions of use

Max. operating pressure	6 bar
Operating temperature	0 – 40 °C
Replace at least every	6 months
	Flush 5 liters before first use

### Performance<sup>1</sup>

Rated service flow	1.8 Lpm
Maximum service life	6 months

Initial hardness °dH	PPM	Product	Hardness reduction	Residual hardness*		Capacity*	
				kH	PPM	liters	servings*
7	125	WaterSoftener 25	25%	5	94	1.000	5.000
		WaterSoftener 50	50%	4	62	600	3.000
		WaterSoftener 75	75%	2	31	433	2.167
		WaterSoftener 100	100%	0	0	370	1.850
14	250	WaterSoftener 25	25%	11	187	500	2.500
		WaterSoftener 50	50%	7	125	300	1.500
		WaterSoftener 75	75%	4	62	217	1.083
		WaterSoftener 100	100%	0	0	185	925
21	375	WaterSoftener 25	25%	16	281	333	1.667
		WaterSoftener 50	50%	11	187	200	1.000
		WaterSoftener 75	75%	5	94	144	722
		WaterSoftener 100	100%	0	0	123	617
28	500	WaterSoftener 25	25%	21	375	250	1.250
		WaterSoftener 50	50%	14	250	150	750
		WaterSoftener 75	75%	7	125	108	542
		WaterSoftener 100	100%	0	0	93	463

\* estimated from tests on 7 dH and based on an average serving of 0.2 liters

### Filtrix BV

Siliciumweg 28 • 3812 SX Amersfoort • Nederland

T +31 33 422 04 40 • F +31 33 422 04 41

E info@filtrix.com • I www.filtrix.com

Please visit our website to obtain information about your local support!



This WaterSoftener is tested and certified by NSF International against NSF/ANSI Standard 42 for materials and structural integrity requirements

COMPONENT

<sup>1</sup> Product performance is dependent on incoming water conditions

While testing was under standard laboratory conditions, actual performance may vary

**Disclaimer:** The information and data in this document is for general purposes only. The information is believed to be correct, however any reliance you place on such information is strictly at your own risk. While we endeavor to keep the information accurate, we make no representations or warranties of any kind, express or implied, about the information, products, services, or related graphics on this Data Sheet for any purpose. Since the conditions under which our products may be used are beyond our control, we cannot accept any liability with respect to the use of our products. Warranty information for the products can be found in our Terms and Conditions of sale. Property rights (industrial, intellectual, and other) must be observed.

WSD E 10-2009

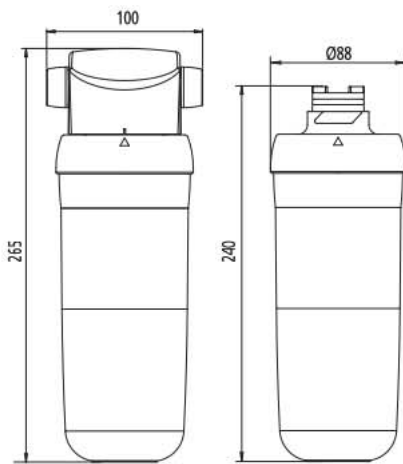
# Norit H2OK WaterSofteners

# WaterConditioner<sup>+</sup>



## Norit H2OK WaterConditioner<sup>+</sup>

Productcode 24.2.351



### Dimensions & Weight

Overall length	240 mm
Overall diameter	Ø88 mm
Dry weight system	800 grams

### Connection

To mains	3/8" BSP
----------	----------

### Storage & Handling

- Keep dry during storage
- Protect against freezing after first use
- Handle with care; do not expose to shocks
- Disposable product; discard as regular waste

### Filterhead

Sold separately under productcode 24.2.901



### AquaCombi Nederland

Pasteurweg 14  
8503 AB Joure | The Netherlands  
T +31 (0)88 98 99 100 \* F +31 (0)88 98 99 110  
E info@aquacombi.nl \* I [www.aquacombi.nl](http://www.aquacombi.nl)

### Technology

Activated Carbon

### Performance <sup>(1)</sup>

Rated capacity	10.000 liter
Lifetime	6 months maximum
Flowrate	8 l/min at 2 bar

### Compliance

Chemical reduction <sup>(2)</sup>	Lead	> 93 %
Aesthetic & Mechanical effects <sup>(3)</sup>	Chlorine reduction Taste & odor improvement Turbidity reduction Reduces abrasion on equipment	> 95 %
Material Safety	Extraction tests	according to NSF/KTW
Structural Integrity <sup>(4)</sup>	Hydrostatic pressure Cyclic pressure Burst pressure	10 bar 100K cycles of 6 bar at 20°C 20 bar at 20°C

### Conditions of use

Max. operating pressure	6 bar
Operating temperature	0 – 40°C
Replace at least every	6 months
	Flush 5 liters before first use

<sup>(1)</sup> Product performance is dependent on incoming water conditions

<sup>(2)</sup> Tested according to NSF 53 @ 4 l/min for 5.000 l

<sup>(2)</sup> Tested according to NSF 42 @ 8 l/min for 10.000 l

<sup>(3)</sup> Tested according to NSF 42

**Limited warranty:** Filtrix B.V. represents and warrants for the warranty period of one year that its products will be free from substantial defects in materials and workmanship. This warranty is subject to exclusions and limitations. For details on warranty and limitation of liability please refer to our warranty sheet.

**Disclaimer:** The information and data contained in this document are based on our general experience and are believed to be correct. They are given in good faith and are intended to provide a guideline for the selection and use of our products. Since the conditions under which our products may be used are beyond our control, this information does not imply any guarantee of final product performance and we cannot accept any liability with respect to the use of our products. The quality of our products is guaranteed under our conditions of sale. Existing industrial property rights must be observed.

product data sheet: WaterConditioner<sup>+</sup>